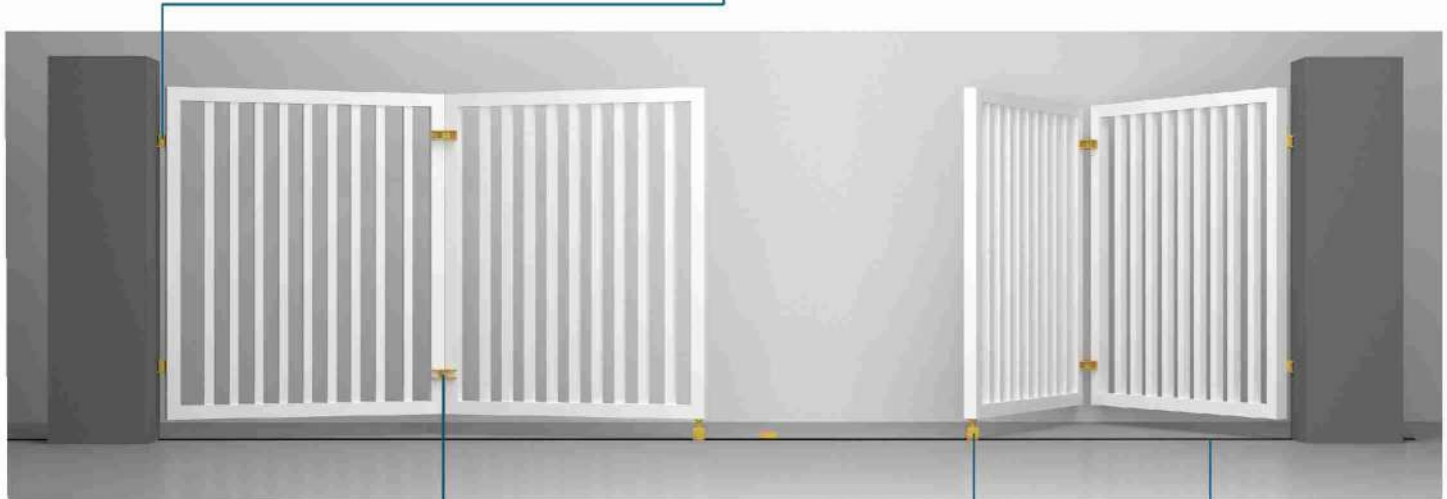




| | | | |
|---|---|---|---|
|  |  |  |  |
| Adjustable Hinges with Round plat | Adjustable Hinges with Square plate | Pivot Hinges with Roller Bearing | Hinges with Double Bearing |

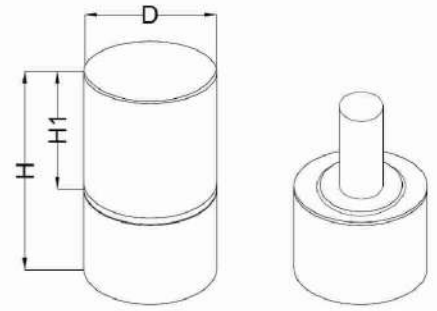


| | |
|---|---|
|  |  |
| Bi Folding Double Bearing Hinges | SS Bi Folding Double Bearing Hinges |

| | |
|---|---|
|  |  |
| Concreted Fixing | Drilled Surface Fixing |

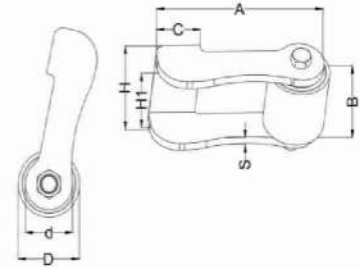
| | |
|---|---|
|  |  |
| Rotating Double Bearing Wheel | Rotating Bearing Wheel with Spring |

Hinges with Double Bearing



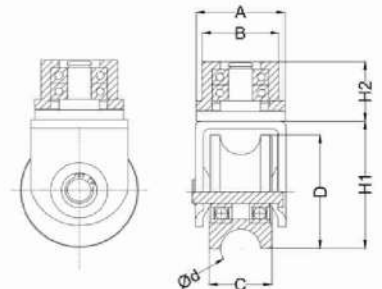
| PRODUCT CODE | D mm | H | H1 | WEIGHT(g) | CAPACITY(kg) |
|-----------------------|------|----|----|-----------|--------------|
| AZ H44GI | 45 | 72 | 40 | 800 | 300 |
| AZ H45SS SS304 | 45 | 72 | 40 | 800 | 300 |

Bi Folding Double Bearing Hinges



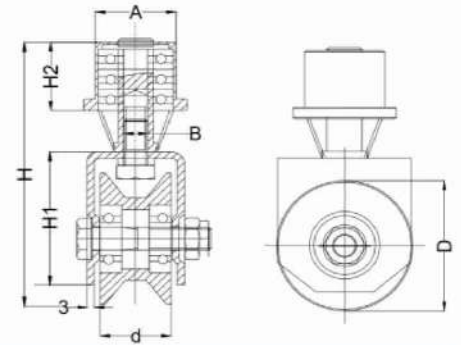
| PRODUCT CODE | D mm | d | A | B | C | S | H | H1 | WEIGHT(g) |
|------------------------|------|----|----|----|----|---|----|----|-----------|
| AZ HM46GI | 38 | 30 | 40 | 37 | 25 | 6 | 50 | 38 | 500 |
| AZ HM47SS SS304 | 38 | 30 | 40 | 37 | 25 | 6 | 50 | 38 | 500 |

Rotating Double Bearing Wheel



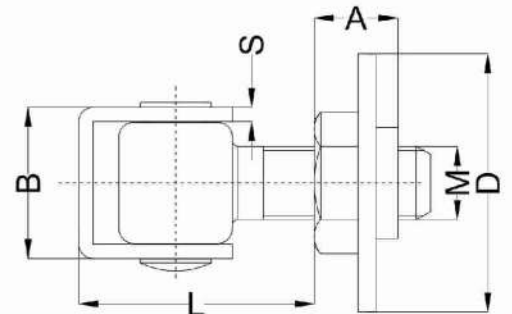
| PRODUCT CODE | D mm | d | A | B | C | H1 | H2 | WEIGHT(g) |
|----------------|------|----|----|----|----|------|------|-----------|
| AZ RW2U60GIR20 | 58 | 20 | 51 | 47 | 31 | 66.5 | 30.5 | 933.8 |

Rotating Bearing Wheel with Spring



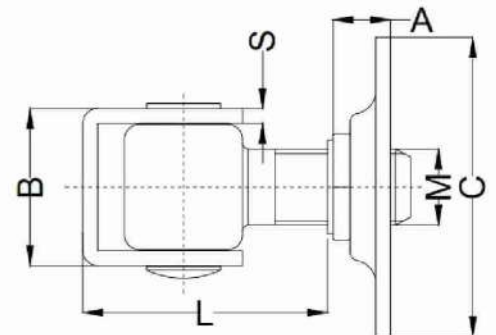
| PRODUCT CODE | D mm | d | A | B | H | H1 | H2 | WEIGHT(g) |
|----------------------------|------|----|----|----------|-------|-----|----|-----------|
| AZ RWU60R20GI | 58 | 30 | 34 | M10 x 25 | 107.5 | 115 | 30 | 739.2 |
| AZ RWU60R20SS SS304 | 58 | 30 | 34 | M10 x 25 | 107.5 | 115 | 30 | 733.4 |

Adjustable Gate Hings with Round Plate



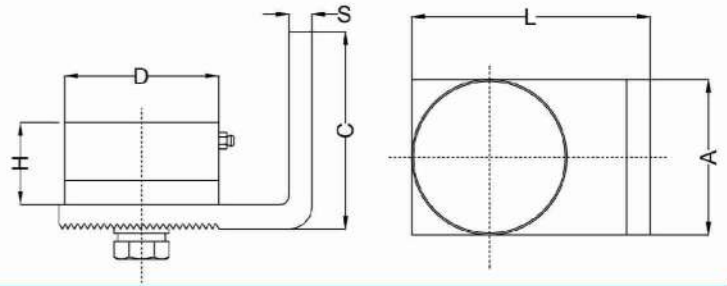
| PRODUCT CODE | M mm | L | A | B | D | S | WEIGHT(g) | CAPACITY(kg) |
|--------------|------|-------|----|----|----|---|-----------|--------------|
| AZ JH2C | M20 | 44-66 | 17 | 36 | 50 | 5 | 418 | 200 |

Adjustable Gate Hinges with Square Plate



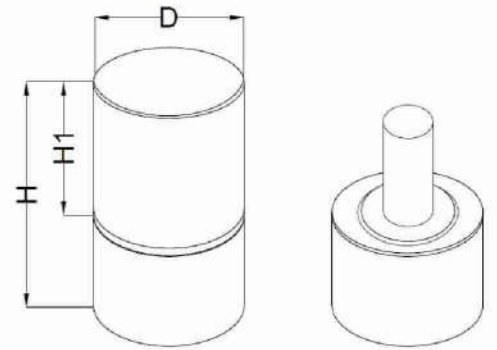
| PRODUCT CODE | M mm | L | A | B | D | S | WEIGHT(g) | CAPACITY(kg) |
|--------------|------|-------|----|----|-----------|---|-----------|--------------|
| AZ SH3C | M20 | 44-65 | 20 | 36 | 100 x 100 | 5 | 678 | 200 |

Pivot Hinges with Roller Bearing



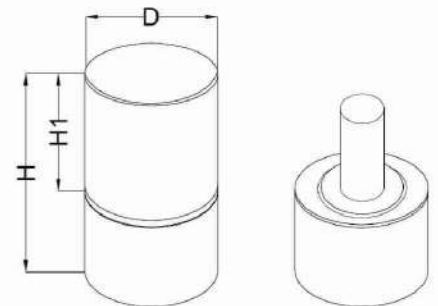
| PRODUCT CODE | D mm | H | A | C | L | S | WEIGHT(g) | CAPACITY(kg) |
|--------------|------|----|----|----|-----|----|-----------|--------------|
| AZ BH13A | 50 | 36 | 50 | 70 | 83 | 8 | 843 | 300 |
| AZ BH13B | 70 | 36 | 60 | 80 | 103 | 10 | 1750 | 500 |

Hinges with Cone Core Pin



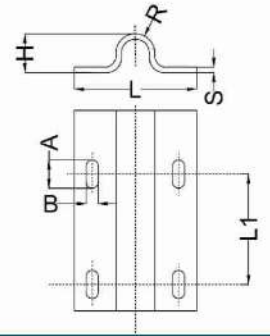
| PRODUCT CODE | D mm | H | H1 | WEIGHT(g) | CAPACITY(kg) |
|--------------|------|-----|----|-----------|--------------|
| AZ H50GI | 55 | 150 | 73 | 800 | 500 |

Hinges with Double Bearing



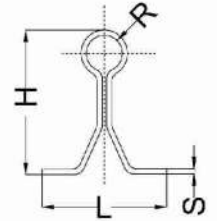
| PRODUCT CODE | D mm | H | H1 | WEIGHT(g) | CAPACITY(kg) |
|-----------------------|------|----|----|-----------|--------------|
| AZ H44GI | 45 | 72 | 40 | 800 | 300 |
| AZ H45SS SS304 | 45 | 72 | 40 | 800 | 300 |

Sliding Gate Track
Drilled Surface Fixing
(U Groove)



| PRODUCT CODE | H mm | H | S | A x B | L1 | R | WEIGHT(g) | CAPACITY(kg) |
|------------------------|------|----|-----|--------|-----|----|-----------|--------------|
| AZ TB16 | 55 | 15 | 3 | 11 x 6 | 300 | 16 | 1520 | 800 |
| AZ TB20 | 55 | 15 | 3.5 | 11 x 6 | 300 | 20 | 1760 | 1000 |
| AZ TSS20A SS304 | 55 | 15 | 3.5 | 11 x 6 | 300 | 20 | 1760 | 1750 |

Sliding Gate Track
Concreted Fixing
(U Shape)



| PRODUCT CODE | L mm | H | R | S | WEIGHT(g) | CAPACITY(kg) |
|--------------|------|----|----|-----|-----------|--------------|
| AZ TW20 | 65 | 60 | 20 | 3.5 | 4370 | 1600 |